



DENTALAIRE

Meeting and Exceeding the Needs of Veterinary Dentistry since 1988



DentalAire DC

Dental X-ray Generator



Incorporating state-of-the-art technology.

DENTALAIRE DC

The DentaIraire DC Dental X-Ray Generator has a large full-size LCD display which makes it easy to use and distinguish different buttons. Available in either a mobile or wall mount version, the Dental X-Ray's ergonomic modern design was built for veterinary demand. You can select the kV and time settings of your choice or choose from the pre-programmed techniques.

Wall Mount X-Ray



- Graphical user interface allows for simple system settings
- Hi-frequency DC technology provides shorter exposure times and reduced dose
- Adjustable kVp for maximum contrast adjustment
- Veterinary specific selections including exotic and extremity
- 0.4 mm focal spot (smallest in the industry) provides higher resolution images
- Large touchscreen LCD display with adjustable brightness and contrast
- 30, 60, 80, 100 cm arm options to meet your requirements
- Long reach arm with frictionless joints and a precision braking system
- Extra-long reach for mobile version with total inside reach of 38"
- Available in mobile or wall mount version
- Optional onsite installation
- Durable components built for veterinary demand
- Exposure can be made from touch screen or wired exposure button
- Touch screen can be mounted externally anywhere in the clinic
- Solid aluminum tube head handle
- Durable, clear tube cone allows for grasp and detection of sensor

Mobile X-Ray



MOBILE FEATURES

The DentaLaire DC Mobile Dental X-Ray Generator has a low center of gravity for an ultra-small foot print and ultimate stability. The electronics are integrated into the base for superior mobility which makes it easier and simple to use. With the mobile capability, there are multiple options for touch screen mounting and a unique laptop tray integration.



Extension Arm Options for Wall Mount X-Ray

- 30 cm arm
- 60 cm arm
- 80 cm arm
- 100 cm arm



High Resolution Imaging 0.4 mm focal spot (smallest in the industry)



LCD Touchscreen Display

Ergonomic and modernly designed full-size display that can be remotely mounted

POSITIONING ARM

The positioning arm is constructed entirely of aluminum using the highest international grade tolerances, frictionless joints, and a precision braking system to ensure the tube rests where you place it. The durable clear tube cone allows for an easy grasp and detection of sensor.



Technical Specs

DC X-RAY TECHNICAL SPECIFICATIONS

Power Supply: 110-240 VAC +/- 10% 50-60 Hz

X-Ray Tube Head: High Frequency (DC) 60, 65, or 70 kV, 6 mA

Exposure Time: 0.01 to 2 seconds

Cone Length: 20 cm (8 inches)

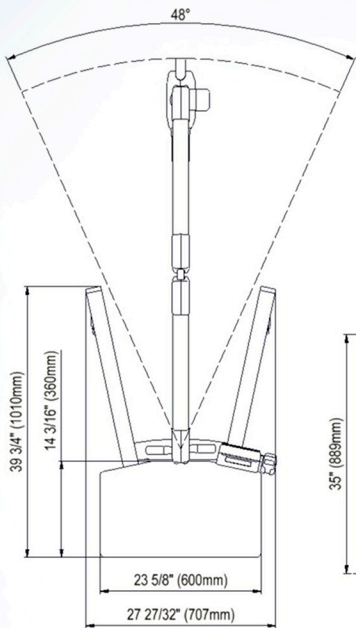
Minimum Inherent Filtration: 3.02 mm Al eq. @70 kV

Focal Spot: 0.4 mm (IEC 336)

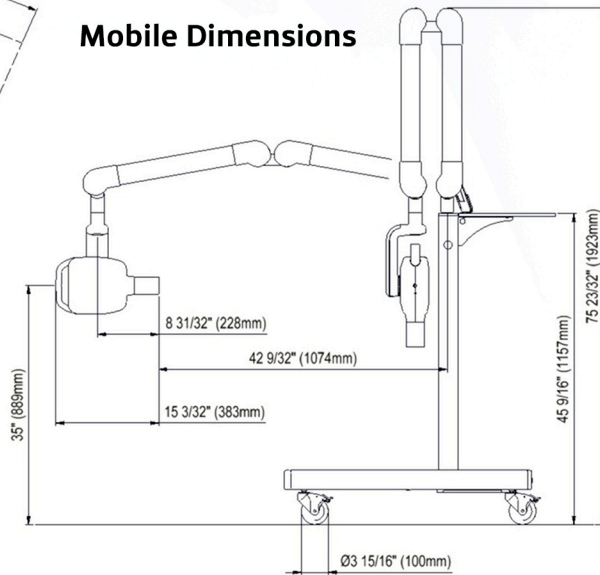
Duty Cycle: 1:30

Shipping Weight: 73 lb (wall mount) – 145 lb (mobile)

Warranty: 2 years, limited



Mobile Dimensions



Wall Mount Dimensions

