

“The Measure of Excellence”

When it comes to weighing cats or smaller animals, the SRV930 is the scale for the job!

Constructed of high impact plastic, this scale is as durable as it is functional.

The state of the art load cell technology permits technicians to obtain accurate and consistent weight even if the animal will not sit perfectly still.

Whatever your weighing needs may be, **SR Scales**® is *“The measure of Excellence.”*



Capacity - Weighs animals up to 40 Pounds

Dual Modes - Lbs, Lbs/Oz, Kg, and Oz

Lightweight - Weighs Only Four (4) Pounds

Platform Size - 24.5 inches X 14 inches

Memory Recall - Recall the Last Stored Weight

Auto- Power Shutdown - Programable

Battery Operated - One (1) 9 Volt Battery

Optional AC Power Supply*

* Optional equipment - see back for details



SR® Instruments, Inc. 600 Young Street, Tonawanda, NY 14150 USA

TF: 1.888.WEIGH.ME Ph: 716.693.5977 F: 716.693.5854

www.srscales.com email: info@srscales.com

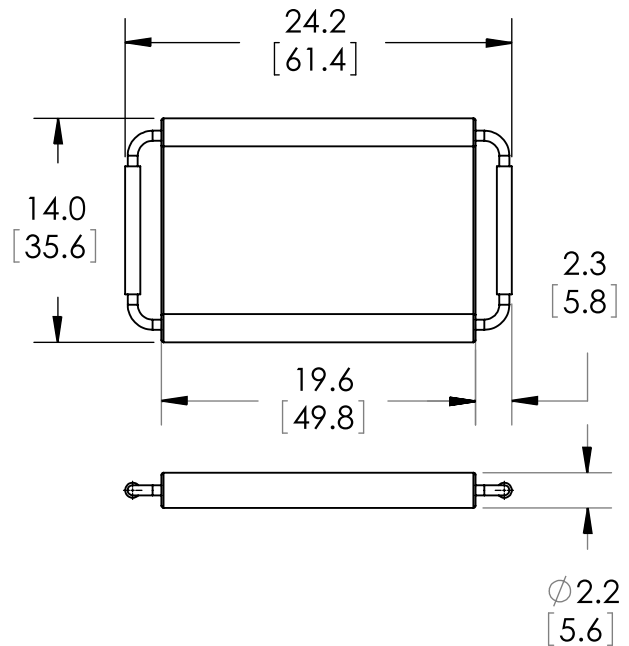
SYSTEM SPECIFICATIONS

Max Weight	40lb/ 20kg/ 704oz
Display Resolution	.02lb/.01kg/.5oz
Display Units	Pounds, Ounces, Kilograms
Three Buttons:	Tare/On/Off, Kg/Lb, Memory
Easy Portability:	Built in handles for easy lifting
Lightweight:	Weighs only 4 Pounds
Power	One (1) 9 Volt Battery
Optional Power	AC/DC Adaptor <small>*Scale will stay on while plugged in</small>
Memory	Recalls Last Stored Weight
Hold	Will Freeze the Last Weight
Auto Power Down	Programmable in seconds 120/180/240/300/Off
Warranty	Two (2) Years

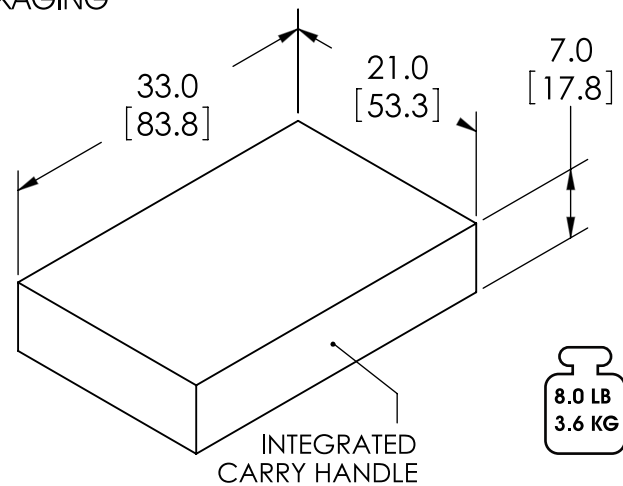
Table Top Scale

Model **SR**[®]V930

DIMENSIONS in (cm)



PACKAGING



ACCESSORIES and OPTIONS

Description	Part Number
Soft Sided Carry Case	SRV930CC
AC Adaptor	SRV930AC

