

# SR Scales®

*“The Measure of Excellence”*

Mobile Platform Scale  
Model **SR**®V945/947/949

**W**hether your a mobile or stationary veterinary practice, SR Mobile Platform Scales offer a durable and reliable option.

The SRV945, SRV947, and SRV949 are lightweight scales designed for veterinarians and zoo keepers to transport wherever needed.

The aluminum surface, with its recessed handles, allows for quick and easy transport. With this scale available in three sizes, there is sure to be a mobile scale that will fit your weighing needs.



Mobile Platform **SR**® Scales are Available in 3 Sizes!!!  
Remote or Built- In Displays Available

## **SR**®V945

Scale Weighs 27 Pounds  
24in X 36in Dimensions  
(60.96 cm) X (91.44 cm)

## **SR**®V947

Scale Weighs 36 Pounds  
24in X 48in Dimensions  
(60.92 cm) X (121.92cm)

## **SR**®V949

Scale Weighs 45 Pounds  
24in X 60in Dimensions  
(60.96 cm) X 152.4 cm)

**Weight Capacity-** 400 Pounds or 182 Kilograms

**Cable Length-** For remote readout only, 10ft in length

**Memory Recall-** Recall the Last Stored Weight

**Battery Operated-** 6 "AA" batteries  
(1) 9 volt on remote readouts

**Auto- Power Shutdown-** Will shutdown after two (2) minutes of non-use



**SR**® Instruments, Inc. 600 Young Street, Tonawanda, NY 14150 USA  
TF: 1.888.WEIGH.ME Ph: 716.693.5977 F: 716.693.5854  
www.srscales.com email: info@srscales.com

MADE IN THE USA   
170203

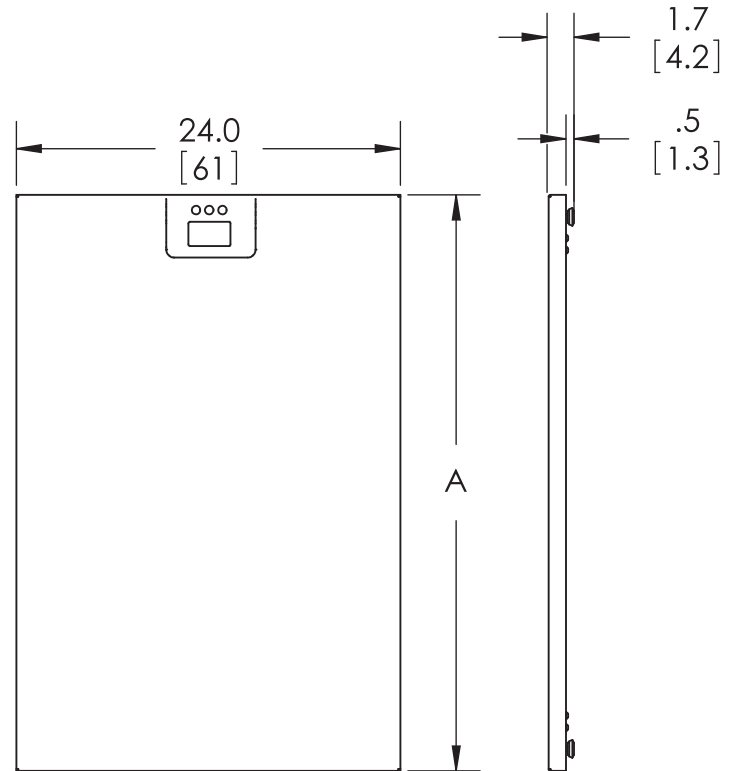
## SYSTEM SPECIFICATIONS

Max Weight	400lb or 182kg
Display Resolution	.2 lb or .1kg
Accuracy	.1%
Button Functions	Zero/Weigh, lb/Kg, Hold/Recall
Display Units	Pounds / Kilograms
Lightweight	SRV945- 27 Pounds SRV947- 36 Pounds SRV949- 45 Pounds
Model Size	SRV945 24" X 36"(dim A) SRV947 24" X 48"(dim A) SRV949 24" X 60"(dim A)  <i>Additional sizes can be made upon request</i>
Hold	Freezes the weight on the display
Power	Six (6) AA Batteries
Portability	Recessed handles built into the bottom of the scale
Auto Zero	One button operation
Warranty	Two (2) Years

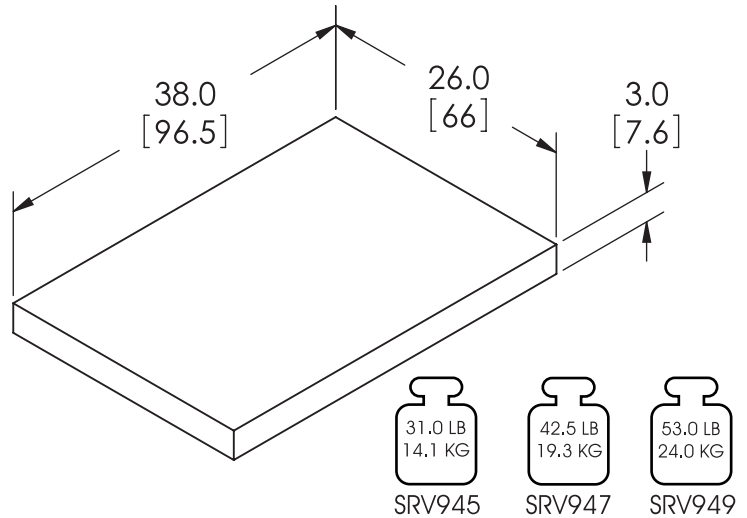
# Mobile Platform Scale

Model **SR**<sup>®</sup>V945/947/949

DIMENSIONS in [cm]



PACKAGING



## Accessories and Options

### Description

SRV945 Remote Readout  
SRV947 Remote Readout  
SRV949 Remote Readout

### Part Number

SRV945R  
SRV947R  
SRV949R