



Examination Light

# Super Bright Spot<sup>®</sup>

Pre-focused spot available for OB/GYNs, urologists, family practitioners, hospital clinics and LDRs.

Using a 20-watt halogen bulb and a special optics system, Burton's Super Bright Spot is virtually heat-free. Plus, the Super Bright Spot is superior to fiber optic units in value, durable operation, spot size and long 2,000-hour bulb life. The Super Bright Spot is available with a sturdy, sag-resistant gooseneck and a floorstand or a universal wall mounting system for tighter spaces.

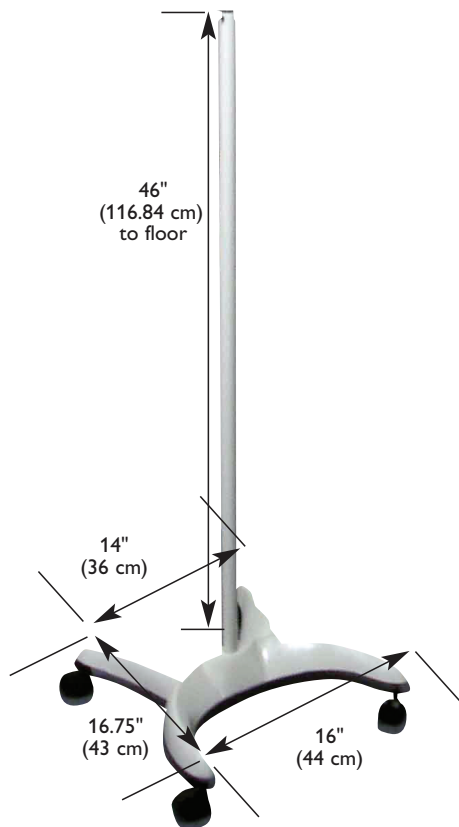
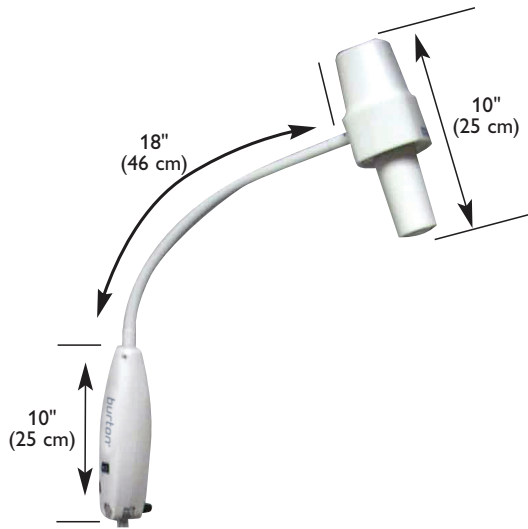
## Features

- 4"-5" spot size (much larger than fiber optic lights)
- Dichroic reflector filters out infrared to keep the beam cool
- High-quality, space-saving, 4-caster base system – safe and flexible portable movement with locking feature on 2 of 4 casters



burton<sup>®</sup>

# Super Bright Spot product dimensions



## Summary of technical data

### SUPER BRIGHT SPOT

Illuminance:	56,000 Lux (5185 fc) at 18" (46 cm)
Color Temperature:	3400 Kelvin
Light Source:	Halogen
Rated Life:	2,000-hour average bulb life
Power:	20 Watts
Power Supply:	120v model standard; 230/240v models available
Certifications/Approvals:	UL 60601-1/IEC 60601-2-41 Certified
Product Warranty:	5-year limited warranty

## Ordering Information

### SUPER BRIGHT SPOT

120v Model	Description
SB40FL	Floor Stand
SB40W	Wall Mount
230/240v Model	Description
SB42FL	Floor Stand
SB42W	Wall Mount

### ACCESSORIES

Model	Description
0007000PK	Super Bright Spot Replacement Bulbs, 4/Box



Phone - 800.233.0210

[www.pennvet.com](http://www.pennvet.com)

**burton**<sup>®</sup>

Burton Medical, LLC  
2300 W Windsor Ct., Suite C  
Addison, IL 60101 USA  
Phone (800) 444-9909, Fax (800) 765-1770  
[Burtonmedical.com](http://Burtonmedical.com)

© 2018 Burton Medical. All rights reserved. Burton Medical reserves the right to make changes in specifications and/or to discontinue any product at any time without notice or obligation and will not be liable for any consequences resulting from the use of this publication.